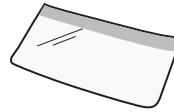
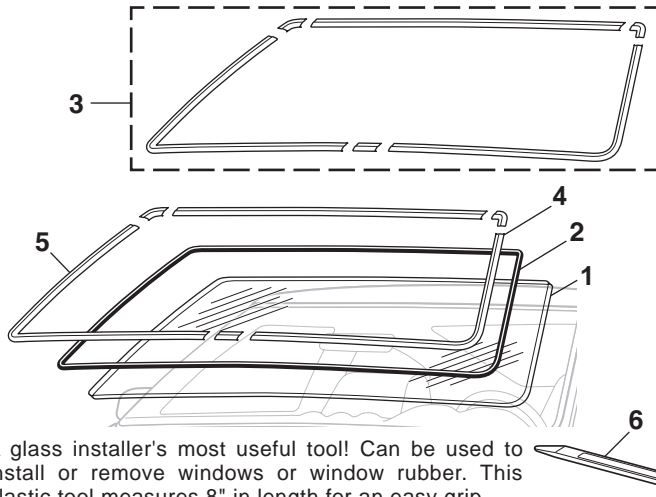


10 240Z 260Z 280Z GLASS AND SEALS

Windshield and Molding

240Z 260Z 280Z 1970-78



Shaded: Windshield has a full light tint with a dark band at the top of glass.

-T after a part number means that part must be shipped Truck Freight. The prepaid order will include a \$125.00 charge for delivery in the 48 contiguous United States. Orders outside of the 48 states will be quoted.

PART	ILL#	DESCRIPTION AND APPLICATION	REQD	LIST	SELL
98-002-T	(1)	WINDSHIELD GLASS-SHADED 240-280	70-78 (1)	224.94	179.95
59-862	(2)	WINDSHIELD SEAL-OE CPE 240-280	70-78 (1)	374.94	299.95
59-860		WINDSHIELD SEAL-REPRO CPE 240-280	70-78 (1)	49.94	39.95
59-864		WINDSHIELD SEAL-REPRO 2+2 260-280	74-78 (1)	112.44	89.95
97-600	(3)	WINDSHIELD MOLDING SET-6PC 240-280	70-78 (1)	162.44	129.95
97-602	(4)	WINDSHIELD MOLDING-LH 240-280	70-78 (1)	48.69	38.95
97-603	(5)	WINDSHIELD MOLDING-RH 240-280	70-78 (1)	48.69	38.95
70-360	(6)	WINDSHIELD STICK 240-280	70-78 (1)	2.44	1.95
70-337		SILICONE SEALANT WINDSHIELD & GLASS 1.5 OZ TUBE		6.19	4.95
70-384		SUPER ADHESIVE-BLACK 5 OUNCE TUBE		7.44	5.95

A glass installer's most useful tool! Can be used to install or remove windows or window rubber. This plastic tool measures 8" in length for an easy grip.

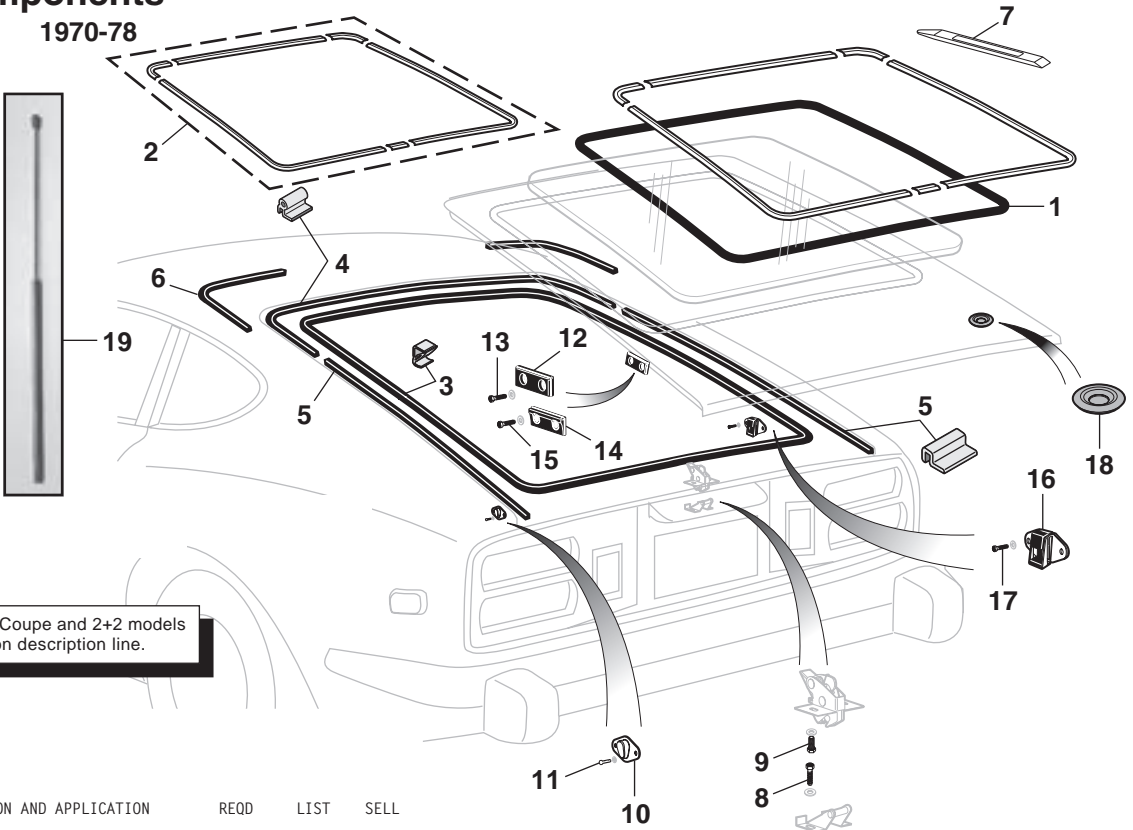
Rear Hatch Components

240Z 260Z 280Z 1970-78



Always replace lift struts in pairs to prevent twisting caused by uneven loads.

Signs of strut failure are: hatch will not stay in the full open position, especially in cold weather, and difficulty in lifting the hatch. Necessary hardware is included.



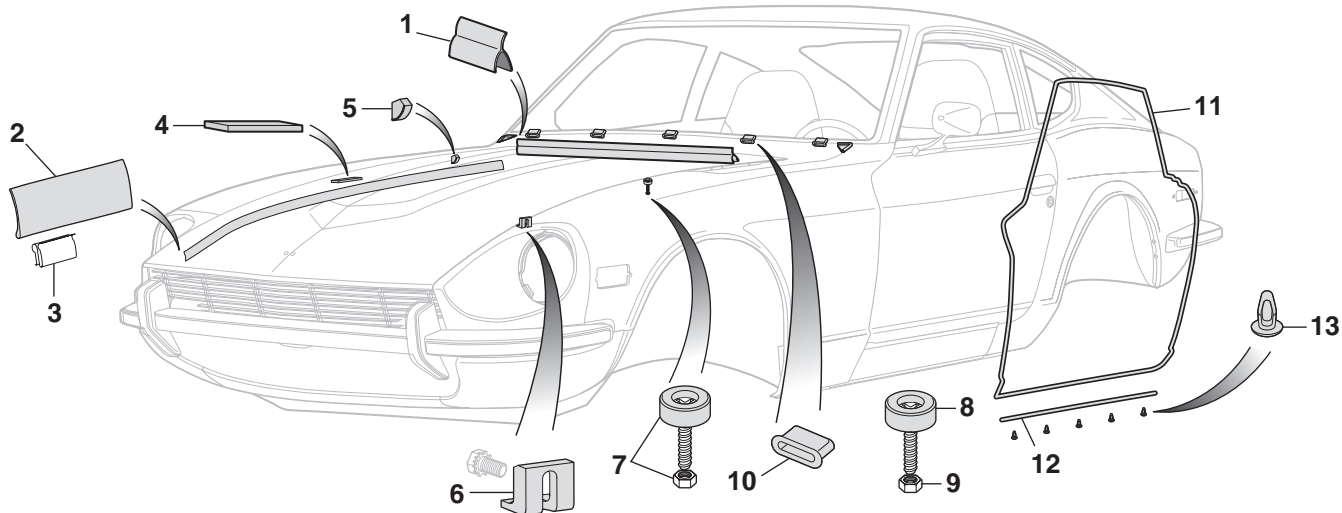
All items on this page will fit Coupe and 2+2 models unless otherwise indicated on description line.

PART	ILL#	DESCRIPTION AND APPLICATION	REQD	LIST	SELL
59-875	(1)	HATCH RUBBER SEAL CPE 240-280	70-78 (1)	49.94	39.95
59-736		HATCH RUBBER SEAL 2+2 260-280	74-78 (1)	99.94	79.95
97-660	(2)	MOLDING SET-6PC CPE 240-280	70-78 (1)	174.94	139.95
59-853	(3)	HATCH RUBBER-BODY CPE 240-280	70-78 (1)	62.44	49.95
59-854		HATCH RUBBER-BODY 2+2 260-280	74-78 (1)	112.44	89.95
59-850	(4)	HATCH RUBBER-OUTER CPE 240-280	70-78 (1)	31.19	24.95
59-851	(5)	HATCH RUBBER-SIDE CPE 240-280	70-78 (2)	11.19	8.95
59-858	(6)	HATCH RUBBER-CORNER-LH 2+2 280	6/75-78(1)	12.44	9.95
70-360	(7)	WINDSHIELD STICK ALL MODELS	(1)	2.44	1.95
79-615	(8)	SCREW-STRIKER 240	70-73 (2)	1.19	.95
79-616		SCREW-STRIKER 260 280	74-78 (2)	1.56	1.25
79-615	(9)	SCREW-LOCK 240	70-73 (2)	1.19	.95
79-616		SCREW-LOCK 260 280	74-78 (2)	1.56	1.25

PART	ILL#	DESCRIPTION AND APPLICATION	REQD	LIST	SELL
59-210	(10)	DOVETAIL 240-280	70-78 (2)	12.44	9.95
79-613	(11)	SCREW-DOVETAIL 240	70-73 (4)	1.56	1.25
79-612		SCREW-DOVETAIL 260 280	74-78 (4)	1.56	1.25
59-140	(12)	RUBBER BUMPER-UPR SIDE RAIL 240	70-73 (2)	6.19	4.95
79-640	(13)	SCREW-BUMPER 240	70-73 (4)	1.56	1.25
59-141	(14)	RUBBER BUMPER-UPR SIDE RAIL 260 280	74-78 (2)	3.69	2.95
79-641	(15)	SCREW-BUMPER 260 280	74-78 (4)	1.56	1.25
59-216	(16)	HATCH STOPPER ASSEMBLY 240-280	70-78 (2)	37.44	29.95
79-643	(17)	SCREW-STOPPER 240	70-73 (4)	1.56	1.25
79-616		SCREW-STOPPER 260 280	74-78 (4)	1.56	1.25
59-169	(18)	PLUG-REAR HATCH 260 280	70-78 (2)	1.19	.95
85-251	(19)	STRUT-REAR HATCH CPE 260 280	74-78 (2)	37.44	29.95

Body Seals

240Z 260Z 280Z 1970-78



PART	ILL#	DESCRIPTION AND APPLICATION	REQD	LIST	SELL
59-877	(1)	COWL TO HOOD SEAL 240-280	70-78 (1)	12.44	9.95
59-122	(2)	FENDER TO INNER FENDER SEAL 240-280	70-78 (2)	24.94	19.95
79-170	(3)	CLIP-SEAL 240-280	70-78(12)	6.19	4.95
59-124	(4)	RUBBER CUSHION-INSPECT LID 240-280	70-78 (2)	2.44	1.95
59-125	(5)	RUBBER BUMPER-INSPECT LID 240-280	70-76 (6)	2.44	1.95
59-126		RUBBER BUMPER-INSPECT LID 280	77-78 (6)	2.44	1.95
59-128	(6)	HOOD BUMPER-SIDE 240-280	70-78 (4)	3.69	2.95
59-130	(7)	HOOD BUMPER W/NUT-ADJUSTBLE 240	70-73 (2)	13.69	10.95
59-131	(8)	HOOD BUMPER-ADJUSTABLE 260 280	74-78 (2)	8.69	6.95
79-308	(9)	NUT-HOOD BUMPER 260 280	74-78 (2)	.94	.75
59-134	(10)	COWL PANEL RECEIVER 240-280	70-78 (5)	4.94	3.95

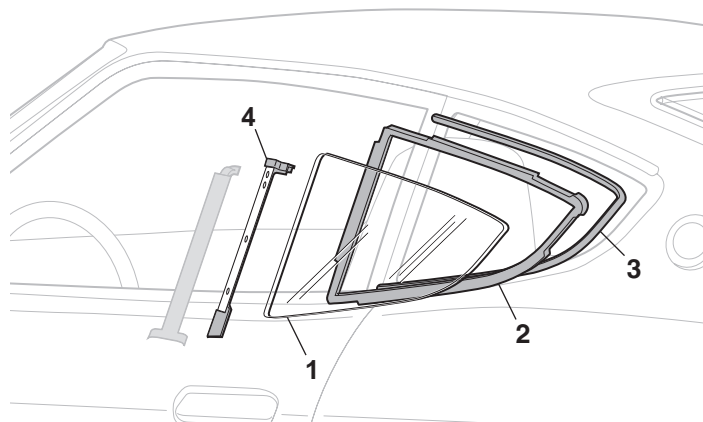
PART	ILL#	DESCRIPTION AND APPLICATION	REQD	LIST	SELL
59-820	(11)	WEATHERSTRIP-LH 240	70-73 (1)	24.94	19.95
59-821		WEATHERSTRIP-RH 240	70-73 (1)	24.94	19.95
59-754		WEATHERSTRIP-LH CPE 260-280	74-6/75 (1)	37.44	29.95
59-755		WEATHERSTRIP-RH CPE 260-280	74-6/75 (1)	37.44	29.95
59-754		WEATHERSTRIP-LH CPE 280	7/75-76 (1)	37.44	29.95
59-755		WEATHERSTRIP-RH CPE 280	7/75-76 (1)	37.44	29.95
59-754		WEATHERSTRIP-LH BLK CPE 280	77-78 (1)	37.44	29.95
59-755		WEATHERSTRIP-RH BLK CPE 280	77-78 (1)	37.44	29.95
59-758		WEATHERSTRIP-LH 2+2 280	7/75-76 (1)	99.94	79.95
59-759		WEATHERSTRIP-RH 2+2 280	7/75-76 (1)	99.94	79.95
59-760		WEATHERSTRIP-LH BLK 2+2 280	77-78 (1)	87.44	69.95
59-761		WEATHERSTRIP-RH BLK 2+2 280	77-78 (1)	87.44	69.95
59-876	(12)	DOOR EDGE SEAL-BODY CPE 240-280	70-78 (2)	12.44	9.95
59-879		DOOR EDGE SEAL-BODY 2+2 260-280	74-78 (2)	12.44	9.95
79-660	(13)	CLIP-SEAL 240-280	70-78(10)	.81	.65

**Left Hand (LH) & Right Hand (RH)
Means as You Sit Facing Forward in the Car**

Quarter Window Glass and Seals

240Z 260Z 280Z 1970-78

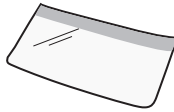
PART	ILL#	DESCRIPTION AND APPLICATION	REQD	LIST	SELL
Coupe Models					
59-770	(2)	SEAL-GLASS/FRAME CPE 240-280	70-78 (2)	31.19	24.95
59-872	(3)	SEAL-FRAME/BODY CPE 240-280	70-78 (2)	14.94	11.95
59-780	(4)	SEAL-FRONT QUARTER-LH CPE 240-280	70-78 (1)	37.44	29.95
59-781		SEAL-FRONT QUARTER-RH CPE 240-280	70-78 (1)	37.44	29.95
2+2 Models					
97-834	(1)	QUARTER GLASS-TINTED-LH 2+2 280	76 (1)	124.94	99.95
97-835		QUARTER GLASS-TINTED-RH 2+2 280	76 (1)	124.94	99.95
97-836		QUARTER GLASS-TINTED-LH 2+2 280	77-78 (1)	249.94	199.95
97-837		QUARTER GLASS-TINTED-RH 2+2 280	77-78 (1)	287.44	229.95
59-776	(2)	SEAL-GLASS/FRAME 2+2 260-280	74-6/75 (2)	24.94	19.95
59-768	(3)	SEAL-FRAME/BODY-LH BLK 2+2 280	7/75-78 (1)	49.94	39.95
59-769		SEAL-FRAME/BODY-RH BLK 2+2 280	7/75-78 (1)	62.44	49.95



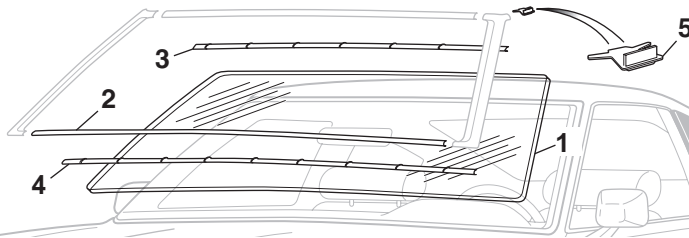
Windshield and Molding

280ZX 1979-83

Shaded: Windshield has a full light tint with a dark band at the top of glass.



-T after a part number means that part must be shipped Truck Freight. The prepaid order will include a \$125.00 charge for delivery in the 48 contiguous United States. Orders outside of the 48 states will be quoted.

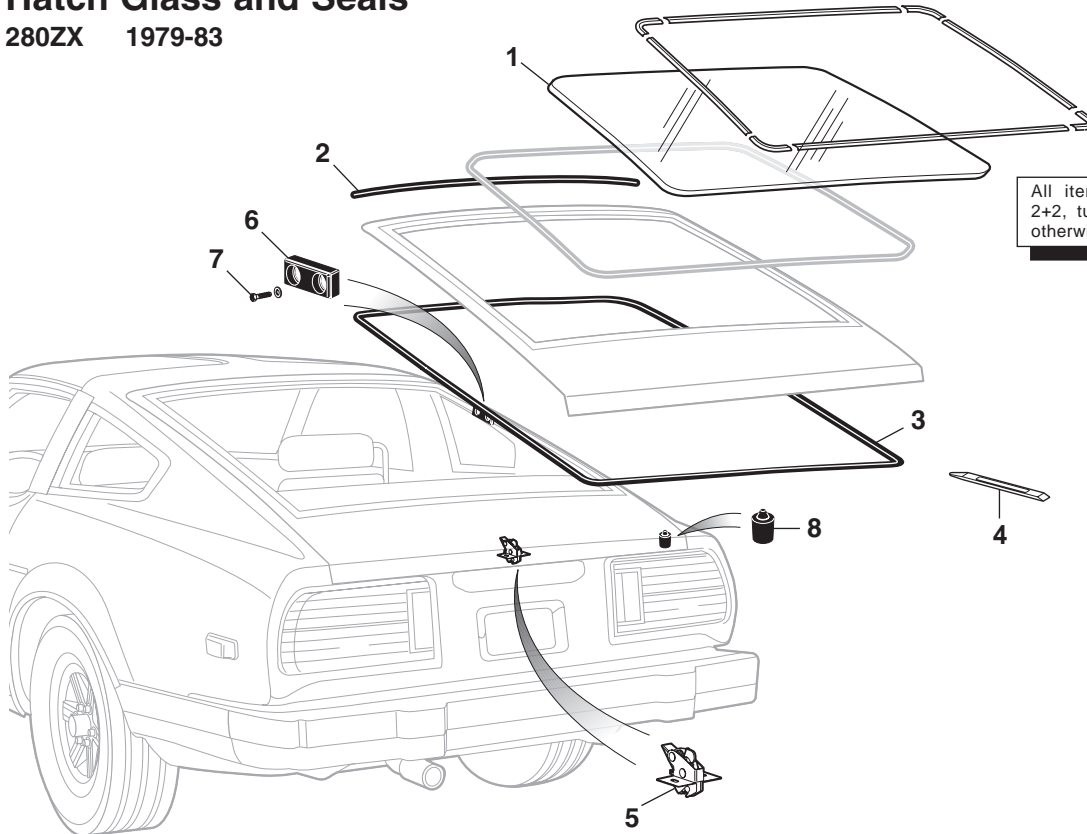


PART	ILL#	DESCRIPTION AND APPLICATION	REQD	LIST	SELL
98-000-T	(1)	WINDSHIELD-SHADED	280	79-83 (1)	187.44 149.95
97-621	(2)	MOLDING-LOWER-BLACK	280	79-83 (1)	162.44 129.95
97-622	(3)	MOLDING SUPPORT-UPPER	280	79-81 (1)	62.44 49.95
97-623		MOLDING SUPPORT-UPPER	280	82-83 (1)	62.44 49.95
97-624	(4)	MOLDING SUPPORT-LOWER	280	79-83 (1)	62.44 49.95
97-625	(5)	MOLDING CLIP	280	82-83 (7)	1.19 .95
70-337		SILICONE SEALANT WINDSHIELD & GLASS 1.5 OZ TUBE		6.19	4.95
70-384		SUPER ADHESIVE-BLACK 5 OUNCE TUBE		7.44	5.95

The windshield on 1979-83 280ZX models is attached with urethane adhesive. Professional installation is required. Contact your local glass installer for installation.

Hatch Glass and Seals

280ZX 1979-83



All items on this page will fit Coupe, 2+2, turbo and non-turbo models unless otherwise indicated on description line.

Tech Tip

Always replace lift struts in pairs to prevent twisting caused by uneven loads.

Signs of strut failure are: hatch will not stay in the full open position, especially in cold weather, and difficulty in lifting the hatch. Necessary hardware is included.

PART	ILL#	DESCRIPTION AND APPLICATION	REQD	LIST	SELL
97-862-T	(1)	HATCH GLASS-TINTED	280	CPE 79-83 (1)	624.94 499.95
97-863-T		HATCH GLASS-TINTED "A"	280	CPE 81-83 (1)	874.94 699.95
97-865-T		HATCH GLASS-TINTED "A"	280	2+2 81-83 (1)	874.94 699.95
59-857	(2)	HATCH SEAL-OUTER-UPPER	280	79-83 (1)	24.94 19.95
59-855	(3)	HATCH SEAL-INNER	280	79-83 (1)	49.94 39.95
70-360	(4)	WINDSHIELD STICK	280	79-83 (1)	2.44 1.95
59-201	(5)	REAR HATCH LOCK ASSEMBLY	280	79-83 (1)	112.44 89.95

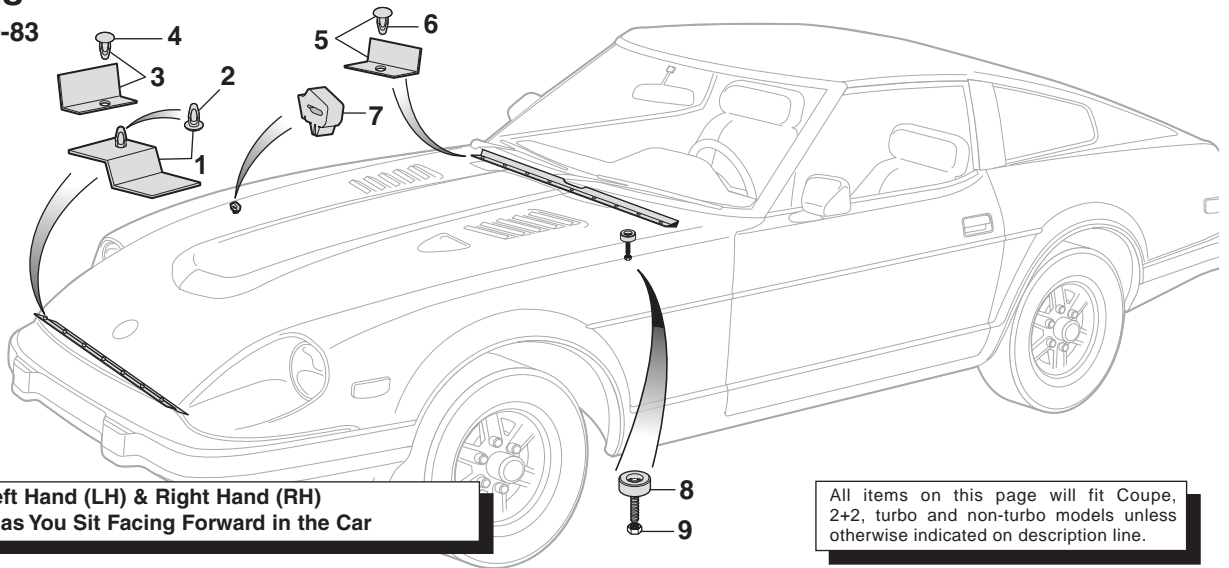
Note: "A" Models equipped with automatic rear defrost.

-T after a part number means that part must be shipped Truck Freight. The prepaid order will include a \$125.00 charge for delivery in the 48 contiguous United States. Orders outside of the 48 states will be quoted.

PART	ILL#	DESCRIPTION AND APPLICATION	REQD	LIST	SELL
59-142	(6)	RUBBER BUMPER-UPR SIDE RAIL	280	79-83 (2)	8.69 6.95
79-642	(7)	SCREW-BUMPER	280	79-83 (4)	1.19 .95
59-146	(8)	RUBBER BUMPER-ON HATCH	280	79-83 (2)	2.44 1.95
85-252	(9)	STRUT-REAR HATCH	280	CPE 79-83 (2)	37.44 29.95
85-253		STRUT-REAR HATCH	280	2+2 79-83 (2)	37.44 29.95

Body Seals

280ZX 1979-83



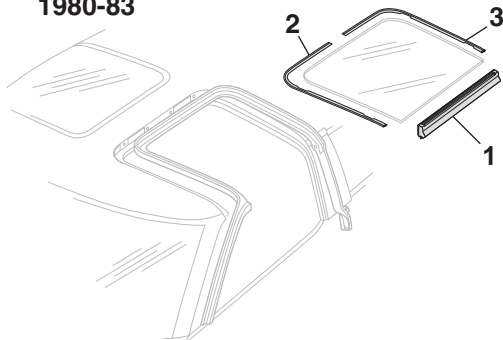
**Left Hand (LH) & Right Hand (RH)
Means as You Sit Facing Forward in the Car**

All items on this page will fit Coupe, 2+2, turbo and non-turbo models unless otherwise indicated on description line.

PART	ILL#	DESCRIPTION AND APPLICATION	REQD	LIST	SELL	PART	ILL#	DESCRIPTION AND APPLICATION	REQD	LIST	SELL		
59-121	(1)	CORE SUPPORT/HOOD SEAL BLK	280	79-83 (1)	18.69	14.95	59-878	(5)	HOOD TO COWL SEAL	280	79-83 (1)	9.94	7.95
79-660	(2)	CLIP-SEAL	280	79-83 (6)	.81	.65	79-660	(6)	CLIP-SEAL	280	79-83 (9)	.81	.65
59-123	(3)	CORE SUPPORT/HOOD SEAL BLK	280	79-83 (1)	18.69	14.95	59-129	(7)	HOOD BUMPER-SIDE	280	79-83 (4)	3.69	2.95
79-660	(4)	CLIP-SEAL	280	79-83 (7)	.81	.65	59-131	(8)	HOOD BUMPER-ADJUSTABLE	280	79-83 (2)	8.69	6.95
						79-308	(9)	NUT-HOOD BUMPER	280	79-83 (2)	.94	.75	

T-Top Body Seals

280ZX 1980-83

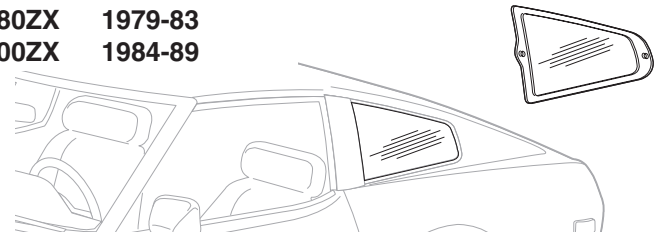


PART	ILL#	DESCRIPTION AND APPLICATION	REQD	LIST	SELL	
59-844	(1)	T-TOP SEAL-DOOR SIDE-LH	280	CPE 80-83 (1)	37.44	29.95
59-845		T-TOP SEAL-DOOR SIDE-RH	280	CPE 80-83 (1)	37.44	29.95
59-866	(2)	T-TOP SEAL-FRONT EDGE-LH	280	CPE 80-83 (1)	37.44	29.95
59-867		T-TOP SEAL-FRONT EDGE-RH	280	CPE 80-83 (1)	37.44	29.95
59-868	(3)	T-TOP SEAL-REAR EDGE-LH	280	CPE 80-83 (1)	37.44	29.95
59-869		T-TOP SEAL-REAR EDGE-RH	280	CPE 80-83 (1)	37.44	29.95

Quarter Glass

280ZX 1979-83

300ZX 1984-89

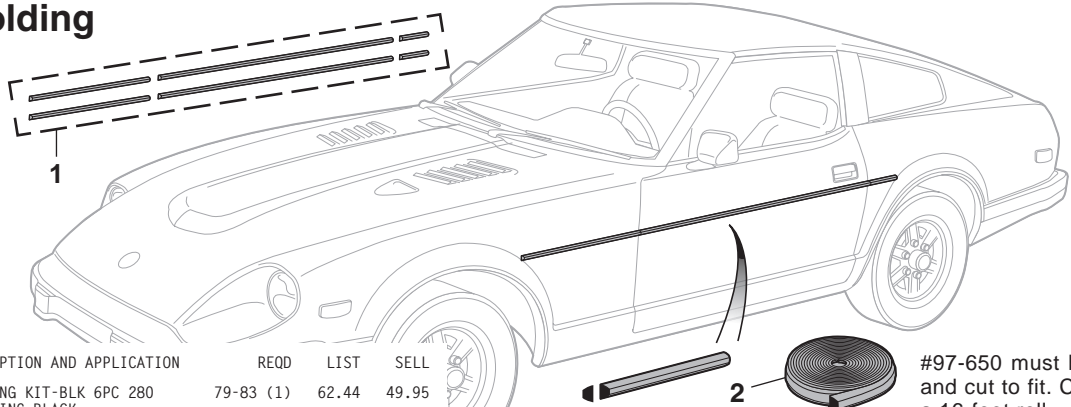


The quarter window glass on 1979-83 280ZX and 1984-89 300ZX models is attached with urethane adhesive. Professional installation is required. Contact your local glass installer for installation.

PART	ILL#	DESCRIPTION AND APPLICATION	REQD	LIST	SELL	
97-838		QUARTER GLASS-LH-TINTED	280	CPE 79-83 (1)	124.94	99.95
97-839		QUARTER GLASS-RH-TINTED	280	CPE 79-83 (1)	149.94	119.95
97-840		QUARTER GLASS-LH-TINTED	280	2+2 79-81 (1)	162.44	129.95
97-841		QUARTER GLASS-RH-TINTED	280	2+2 79-81 (1)	162.44	129.95
97-842		QUARTER GLASS-LH-TINTED	280	2+2 82-83 (1)	187.44	149.95
97-843		QUARTER GLASS-RH-TINTED	280	2+2 82-83 (1)	237.44	189.95
97-844		QUARTER GLASS-LH-TINTED	300	CPE 84-89 (1)	112.44	89.95
97-845		QUARTER GLASS-RH-TINTED	300	CPE 84-89 (1)	137.44	109.95
97-848		QUARTER GLASS-LH-TINTED	300	2+2 84-89 (1)	249.94	199.95

Body Side Molding

280ZX 1979-83

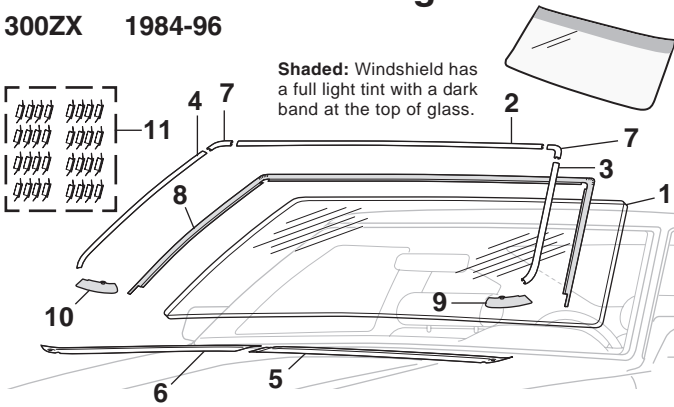


PART	ILL#	DESCRIPTION AND APPLICATION	REQD	LIST	SELL	
97-651	(1)	PRE-CUT MOLDING KIT-BLK 6PC	280	79-83 (1)	62.44	49.95
97-650	(2)	ADHESIVE MOLDING-BLACK 16FT ROLL CUT TO FIT	280	79-83 (1)	28.69	22.95

#97-650 must be sized and cut to fit. Comes in a 16-foot roll.

Windshield and Molding

300ZX 1984-96



-T after a part number means that part must be shipped Truck Freight. The prepaid order will include a \$125.00 charge for delivery in the 48 contiguous United States. Orders outside of the 48 states will be quoted.

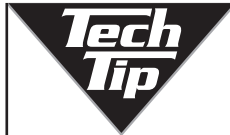
PART	ILL#	DESCRIPTION AND APPLICATION	REQD	LIST	SELL
98-001-T	(1)	WINDSHIELD-SHADED 300	84-89 (1)	187.44	149.95
98-005-T		WINDSHIELD-SHADED BLUE TINT 300	90-96 (1)	162.44	129.95
98-006-T		WINDSHIELD-SHADE BRONZETINT 300	90-96 (1)	199.94	159.95
97-626	(2)	MOLDING-UPPER-STAINLESS 300ZX	84-89 (1)	99.94	79.95
97-627		MOLDING-UPPER-BLACK 300ZXT	84-89 (1)	124.94	99.95
97-628		MOLDING-UPPER-GRAY 300ZXT	84-89 (1)	99.94	79.95

The windshield on 1984-96 300ZX models is attached with urethane adhesive. Professional installation is required. Contact your local glass installer for installation.

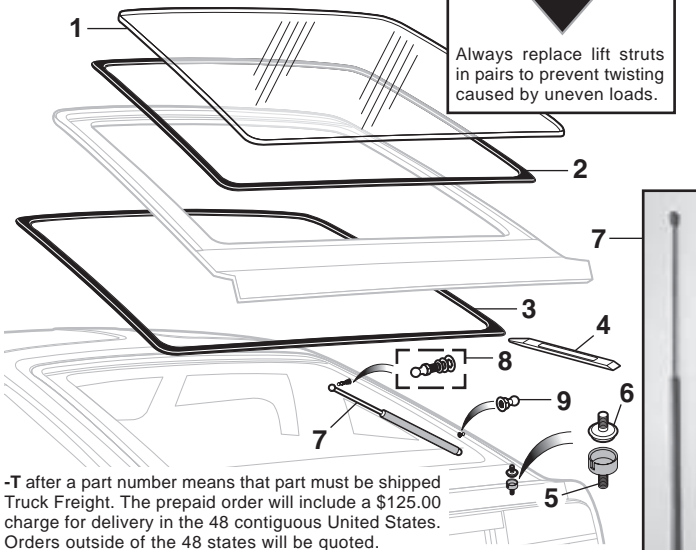
PART	ILL#	DESCRIPTION AND APPLICATION	REQD	LIST	SELL
97-630	(3)	WINDSHIELD MOLDING-LH-SS 300ZX	84-89 (1)	74.94	59.95
97-629	(4)	WINDSHIELD MOLDING-RH-SS 300ZX	84-89 (1)	74.94	59.95
97-632		WINDSHIELD MOLDING-LH-BLACK 300ZXT	84-89 (1)	99.94	79.95
97-631		WINDSHIELD MOLDING-RH-BLACK 300ZXT	84-89 (1)	99.94	79.95
97-634		WINDSHIELD MOLDING-LH-GRAY 300ZXT	87-89 (1)	74.94	59.95
97-633		WINDSHIELD MOLDING-RH-GRAY 300ZXT	87-89 (1)	74.94	59.95
97-638	(5)	MOLDING-LOWER-LH-SS 300ZX	84-89 (1)	137.44	109.95
97-639	(6)	MOLDING-LOWER-RH-SS 300ZX	84-89 (1)	137.44	109.95
97-640		MOLDING-LOWER-LH-BLACK 300ZXT	84-89 (1)	137.44	109.95
97-641		MOLDING-LOWER-RH-BLACK 300ZXT	84-89 (1)	137.44	109.95
97-642		MOLDING-LOWER-LH-GRAY 300ZXT	87-89 (1)	112.44	89.95
97-643		MOLDING-LOWER-RH-GRAY 300ZXT	87-89 (1)	112.44	89.95
97-635	(7)	MOLDING-UPPER CORNER-SS 300ZX	84-89 (2)	31.19	24.95
97-636		MOLDING-UPPER CORNER-BLACK 300ZXT	84-89 (2)	39.94	31.95
97-637		MOLDING-UPPER CORNER-GRAY 300ZXT	87-89 (2)	21.19	16.95
97-644	(8)	MOLDING FASTENER-BLACK 300	84-89 (1)	87.44	69.95
97-645		MOLDING FASTENER-GRAY 300ZXT	87-89 (1)	87.44	69.95
97-646	(9)	MOLDING COVER-LH 300	84-89 (1)	13.69	10.95
97-647	(10)	MOLDING COVER-RH 300	84-89 (1)	13.69	10.95
97-648	(11)	WINDSHIELD MOLDING CLIP KIT 300	84-89 (1)	11.19	8.95
70-337		SILICONE SEALANT WINDSHIELD & GLASS 1.5 OZ TUBE		6.19	4.95
70-384		SUPER ADHESIVE-BLACK 5 OUNCE TUBE		7.44	5.95

Hatch Glass and Seals

300ZX 1984-96



Always replace lift struts in pairs to prevent twisting caused by uneven loads.



-T after a part number means that part must be shipped Truck Freight. The prepaid order will include a \$125.00 charge for delivery in the 48 contiguous United States. Orders outside of the 48 states will be quoted.

Signs of strut failure are: hatch will not stay in the full open position, especially in cold weather, and difficulty in lifting the hatch. Necessary hardware is included.

All items on this page will fit Coupe, 2+2, turbo and non-turbo models unless otherwise indicated on description line.

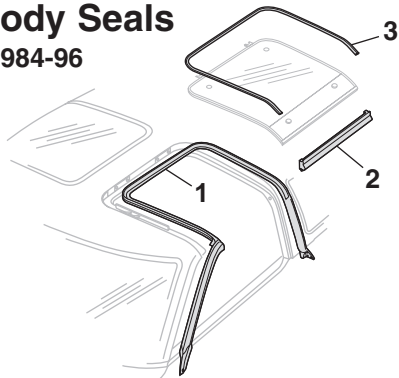
The hatch glass on 1984-96 300ZX models is attached with urethane adhesive. Professional installation is required. Contact your local glass installer for installation.

PART	ILL#	DESCRIPTION AND APPLICATION	REQD	LIST	SELL
97-870-T	(1)	HATCH GLASS-BLUE TINT "A" 300	2+2 84-89 (1)	562.44	449.95
97-871-T		HATCH GLASS-BRONZE TINT "A" 300	2+2 84-89 (1)	687.44	549.95
97-873-T		HATCH GLASS-BRONZE TINT "B" 300	2+2 84-89 (1)	437.44	349.95
97-886-T		HATCH GLASS-GREEN TINT "B" 300	CPE 90-96 (1)	749.94	599.95
59-849	(2)	WELT-HATCH GLASS 300	CPE 84-89 (1)	24.94	19.95
59-855	(3)	HATCH SEAL-INNER 300	84-89 (1)	49.94	39.95
57-730		HATCH SEAL-INNER 300	CPE 90-96 (1)	106.19	84.95
57-731		HATCH SEAL-INNER 300	2+2 90-96 (1)	106.19	84.95
70-360	(4)	WINDSHIELD STICK ALL MODELS	(1)	2.44	1.95
59-147	(5)	RUBBER BUMPER-ON BODY 300	84-89 (2)	6.19	4.95
59-148	(6)	BUMPER-ON HATCH 300	84-89 (2)	6.19	4.95
57-732		BUMPER-ON HATCH 300	90-96 (2)	11.19	8.95
85-254	(7)	STRUT-REAR HATCH 300	CPE 84-89 (2)	37.44	29.95
85-255		STRUT-REAR HATCH 300	2+2 84-89 (2)	37.44	29.95
85-257		STRUT-REAR HATCH 300	2+2 90-92 (2)	37.44	29.95
85-259		STRUT-REAR HATCH 300	2+2 93-96 (2)	37.44	29.95
85-262		STRUT-REAR HATCH 300	CPE 90-96 (2)	37.44	29.95
79-496	(8)	BALL STUD-STRUT-LOWER 300	84-89 (2)	16.19	12.95
79-494	(9)	BALL STUD-STRUT UPPER 300	86-89 (2)	16.19	12.95

Note: "A" Heated without antenna.
"B" Heated with antenna.

T-Top Body Seals

300ZX 1984-96



PART	ILL#	DESCRIPTION AND APPLICATION	REQD	LIST	SELL
59-886	(1)	T-TOP SEAL-BODY SIDE-LH 300	CPE 84-89 (1)	537.44	429.95
59-887		T-TOP SEAL-BODY SIDE-RH 300	CPE 84-89 (1)	537.44	429.95
57-716		T-TOP SEAL-BODY SIDE-LH 300	CPE 90-96 (1)	287.44	229.95
57-717		T-TOP SEAL-BODY SIDE-RH 300	CPE 90-96 (1)	287.44	229.95
57-718		T-TOP SEAL-BODY SIDE-LH 300	2+2 90-96 (1)	287.44	229.95
57-719		T-TOP SEAL-BODY SIDE-RH 300	2+2 90-96 (1)	287.44	229.95
59-896	(2)	T-TOP SEAL-DOOR SIDE-LH 300	CPE 84-89 (1)	49.94	39.95
59-897		T-TOP SEAL-DOOR SIDE-RH 300	CPE 84-89 (1)	49.94	39.95
57-720		T-TOP SEAL-DOOR SIDE-LH 300	CPE 90-96 (1)	118.69	94.95
57-721		T-TOP SEAL-DOOR SIDE-RH 300	CPE 90-96 (1)	118.69	94.95
57-722		T-TOP SEAL-DOOR SIDE-LH 300	2+2 90-96 (1)	99.94	79.95
57-723		T-TOP SEAL-DOOR SIDE-RH 300	2+2 90-96 (1)	99.94	79.95
59-898	(3)	T-TOP SEAL-BODY SIDE 300	CPE 84-89 (2)	24.94	19.95

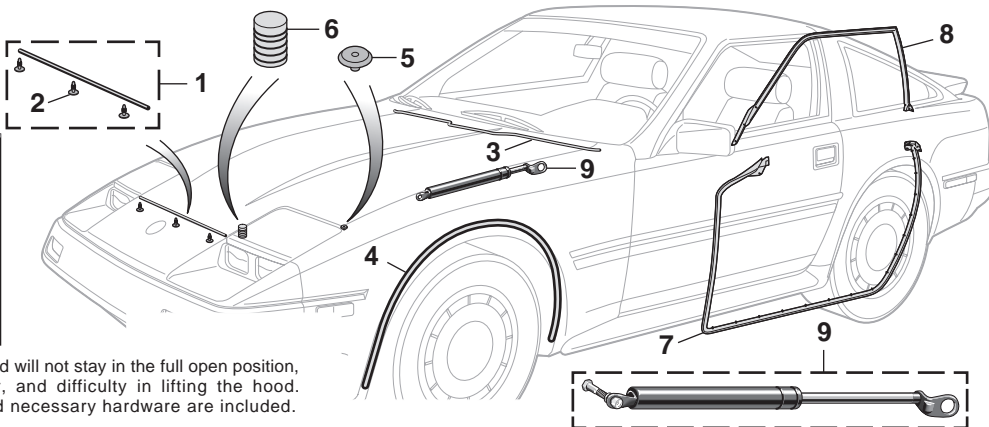
Body Seals

300ZX 1984-89



Always replace lift struts in pairs to prevent twisting caused by uneven loads.

Signs of strut failure are: hood will not stay in the full open position, especially in cold weather, and difficulty in lifting the hood. Installation instructions and necessary hardware are included.



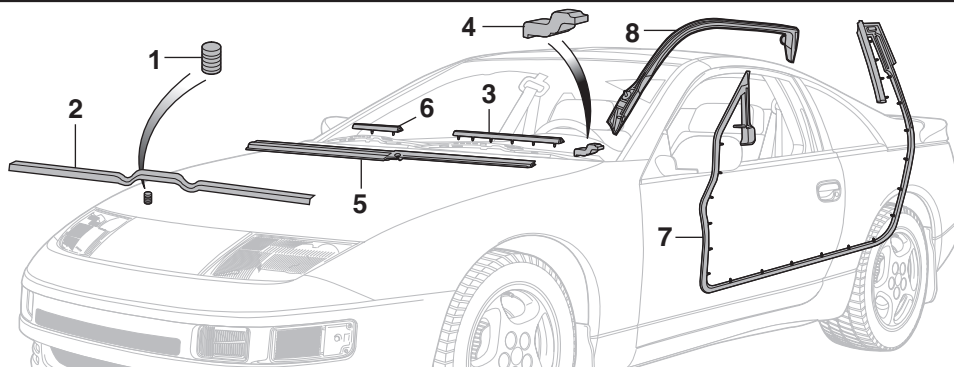
PART	ILL#	DESCRIPTION AND APPLICATION	REQD	LIST	SELL
59-846	(1)	HOOD SEAL-FRONT	300ZX 87-89 (1)	6.19	4.95
79-665	(2)	CLIP	300ZX 87-89 (3)	1.19	.95
59-848	(3)	COWL TO HOOD SEAL	300 1/87-89 (1)	12.44	9.95
59-105	(4)	FENDER/INNER FENDER SEAL-RH	300 84-85 (1)	18.69	14.95
59-107		FENDER/INNER FENDER SEAL-RH	300 86 (1)	17.44	13.95
59-108		FENDER/INNER FENDER SEAL-LH	300 87-89 (1)	17.44	13.95
59-132	(5)	HOOD BUMPER-SIDE	300 84-89 (2)	3.69	2.95
59-133	(6)	HOOD BUMPER-ADJUSTABLE	300 84-89 (2)	7.44	5.95

PART	ILL#	DESCRIPTION AND APPLICATION	REQD	LIST	SELL
59-828	(7)	WEATHERSTRIP-ON DOOR-LH	300 CPE 84-85 (1)	24.94	19.95
59-829		WEATHERSTRIP-ON DOOR-RH	300 CPE 84-85 (1)	24.94	19.95
59-830		WEATHERSTRIP-ON DOOR-LH	300 CPE 86-89 (1)	24.94	19.95
59-831		WEATHERSTRIP-ON DOOR-RH	300 CPE 86-89 (1)	24.94	19.95
59-885	(8)	SEAL-BODY SIDE-RH "A"	300 CPE 84-89 (1)	224.94	179.95
85-258	(9)	STRUT-HOOD	300 84-89 (2)	37.44	29.95

Note: "A" For models without T-Tops.

Body Seals

300ZX 1990-96



PART	ILL#	DESCRIPTION AND APPLICATION	REQD	LIST	SELL
59-133	(1)	HOOD BUMPER	300 90-96 (2)	7.44	5.95
57-702	(2)	CORE SUPPORT/HOOD SEAL	300ZX 90-2/92 (1)	37.44	29.95
57-703		CORE SUPPORT/HOOD SEAL	300ZX 3/92-96 (1)	49.94	39.95
57-703		CORE SUPPORT/HOOD SEAL	300ZX 90-96 (1)	49.94	39.95
57-704	(3)	HOOD TO COWL SEAL	300 90-96 (1)	37.44	29.95
57-706	(4)	COWL SEAL-LH/RH	300 90-96 (2)	49.94	39.95
57-708	(5)	COWL SEAL-CENTER	300 90-6/95(1)	56.19	44.95
57-709	(6)	COWL SEAL-CENTER	300 7/95-96(1)	8.69	6.95

PART	ILL#	DESCRIPTION AND APPLICATION	REQD	LIST	SELL
57-710	(7)	DOOR WEATHERSTRIP-LH	300 CPE 90-96 (1)	199.94	159.95
57-711		DOOR WEATHERSTRIP-RH	300 CPE 90-96 (1)	199.94	159.95
57-712		DOOR WEATHERSTRIP-LH	300 2+2 90-96 (1)	187.44	149.95
57-713		DOOR WEATHERSTRIP-RH	300 2+2 90-96 (1)	187.44	149.95
57-714	(8)	BODY SIDE SEAL-LH "A"	300 CPE 90-96 (1)	174.94	139.95
57-715		BODY SIDE SEAL-RH "A"	300 CPE 90-96 (1)	174.94	139.95

Note: "A" For models without T-Tops.

Convertible Seals

300ZX 1993-96

PART	ILL#	DESCRIPTION AND APPLICATION	REQD	LIST	SELL
57-740	(1)	HEADER WEATHERSTRIP	300 93-96 (1)	312.44	249.95
57-742	(2)	REAR CORNER SEAL-LH	300 93-96 (1)	31.19	24.95
57-743		REAR CORNER SEAL-RH	300 93-96 (1)	31.19	24.95
57-744	(3)	FRONT RAIL WEATHERSTRIP-LH	300 93-96 (1)	62.44	49.95
57-745		FRONT RAIL WEATHERSTRIP-RH	300 93-96 (1)	62.44	49.95
57-746	(4)	CENTER RAIL WEATHERSTRIP-LH	300 93-96 (1)	37.44	29.95
57-747		CENTER RAIL WEATHERSTRIP-RH	300 93-96 (1)	37.44	29.95
57-748	(5)	REAR RAIL WEATHERSTRIP-LH	300 93-96 (1)	43.69	34.95
57-749		REAR RAIL WEATHERSTRIP-RH	300 93-96 (1)	43.69	34.95
57-750	(6)	REAR FRAME WEATHERSTRIP	300 93-96 (1)	224.94	179.95
57-752	(7)	STORAGE LID WEATHERSTRIP	300 93-96 (1)	199.94	159.95
57-754	(8)	STORAGE LID CORNER SEAL-LH	300 93-96 (1)	16.19	12.95
57-755		STORAGE LID CORNER SEAL-RH	300 93-96 (1)	16.19	12.95

